

LAPAROSCOPY ACCESSORIES















Bipolar Instrumentation

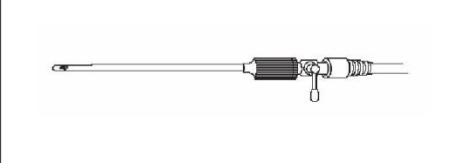


		
<p>-1109 Ring Handle 5mm, (compatible with both 33cm & 45cm)</p>	<p>G14 -1110 Spring Handle 5mm (compatible with both 33cm & 45cm)</p>	<p>G14 -1111 Ring Handle 5mm (compatible with both 33cm & 45cm)</p>
		
<p>G14 -1112 Fenestrated Bipolar Forceps Size: 5mm, 33cm</p>	<p>G14 -1113 Paddle Bipolar Forceps Size: 5mm, 33cm</p>	<p>G14 -1114 Micro Tip Bipolar Forceps Size: 5mm, 33cm</p>

		
G14 -1115 Bipolar Shaft Size: 5mm, 33cm	G14 -1116 Fenestrated Bipolar Forceps Size: 5mm, 45cm	G14 -1117 Paddle Bipolar Forceps Size: 5mm, 45cm
		
G14 -1118 Bipolar Shaft Size: 5mm, 45cm	G14 -1119 Bipolar Coagulation Suction & Irrigation Tube Insulated, 5mm.41cm	G14 -1120 Reducing Sleeves Size: 20pkg

Monopolar Probes

		
G14 -1121 Spatula Tip Probe Size: 3mm, 29cm	G14 -1122 L-Tip Probe Size: 3mm, 29cm	G14 -1123 Spatula Tip Probe Size: 5mm, 33cm
		
G14 -1124 L-Tip Probe Size: 5mm, 33cm	G14 -1125 J-Tip Probe Size: 5mm, 33cm	G14 -1126 Spatula Tip Probe Size: 5mm, 45cm
		
G14 -1127 L-Tip Probe Size: 5mm, 45cm	G14 -1128 J-Tip Probe Size: 5mm, 45cm	G14 -1129 Clip Applicator for vessel clips, Size: 12.5mm, 34cm length

		
G14 --1130 Gall Bladder Extractor Three- blade design, Size: 55mm blade length Use With 10mm Trocars.	G14 --1131 Knot Pusher Size: 5mm	G14 --1132 Knot Pusher Size: 10mm

		
G14 --1133 Veress Needles Size: 90mm, 100mm, 120mm, 150mm, 170mm,	G14 --1134 Puncture Needle With Luer-Lock connection and finger valve,5mm diam. Size: 33cm length	G14 --1135 100% Imported Silicone Washer. Size: Washer for 4.0mm, 5.5mm, 7.0mm, 11mm, 12mm & 20mm Laparoscopic Trocars.

Available Insulated Shafts:-



Instruments Insert Patterns: Refer to pages from “Laparoscopic Graspers” for the listing of inserts and complete Modular instruments available from stock.

CE MARK + ISO-9001-2000 CERTIFIED

Address

Mustafa Town, Fateh Garh, S.I.E Sialkot - 51310, Pakistan

E-Mail: info@g14surgical.com | g14surgical@brain.net.pk | g14surgical@gmail.com Web: <http://g14surgical.com>

Tel: +92- (0) - 52- 3 256108, 3258365 Fax: +92-(0)-52-3 240858, Cell: +92-(0)-345-6724741